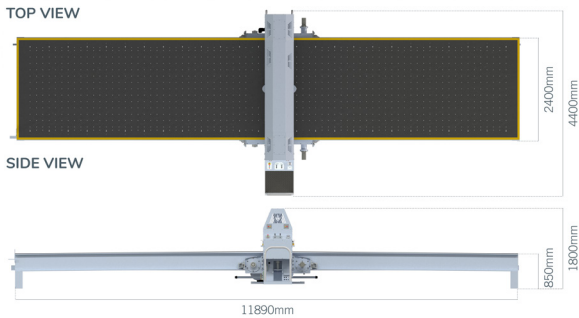
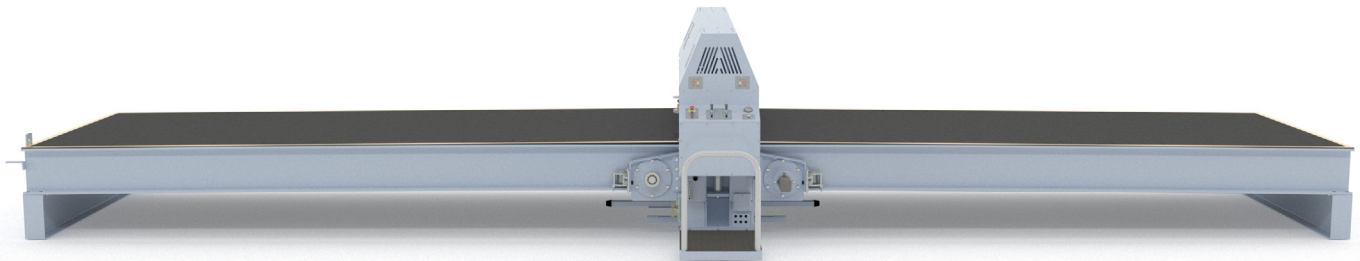


Mini 8



SPECIFICATIONS

Press head travelling speed	1m/second
Press head capacity	40t
Press head opening†	145mm max./30mm min.
Platen size	2400mm x 600mm
Pressing cycle	3 seconds
Motor	15hp
Table size	11.8m x 2.4m
Weight	9000kg approx.
Power requirements	32amp, 415V, 3 phase +N +E

†Please be aware that due to camber of the table the throat opening may have a variation of +/- 5mm

*Specifications and design subject to change, please confirm details when ordering

USED FOR

Our range of table presses present supreme versatility and functionality to the frame and truss industry. With a 40t pressing head the ability to press any truss, hip, jack or other pressing requirement is an absolute breeze.

FEATURES

- Bolt on truss jiggling included
- Safety laser scanner
- Ride-on carriage
- Direct drive
- Bell crank pressing action
- Pressure boost buttons
- 150mm hole centres for jiggling

JIGGING

