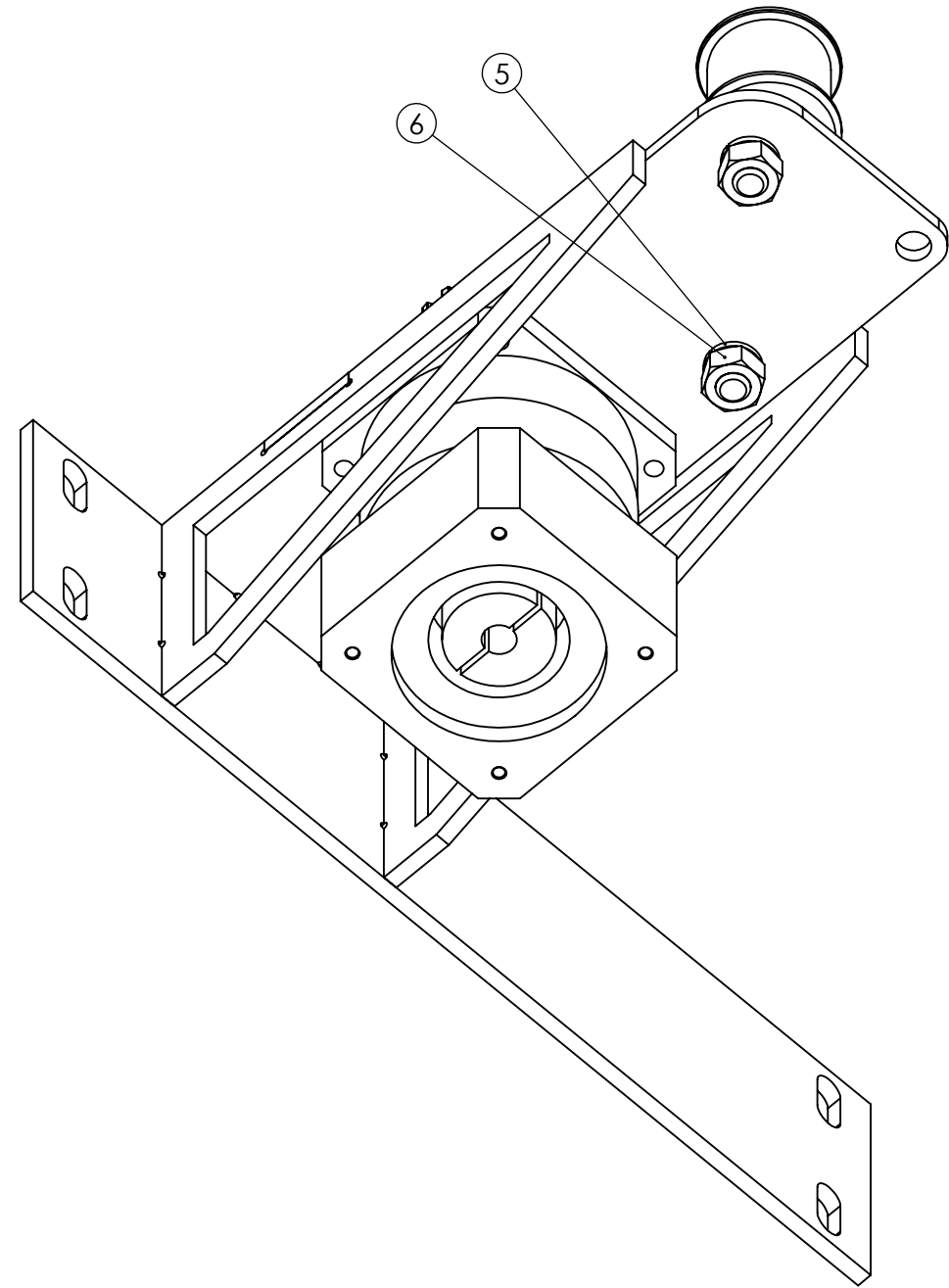
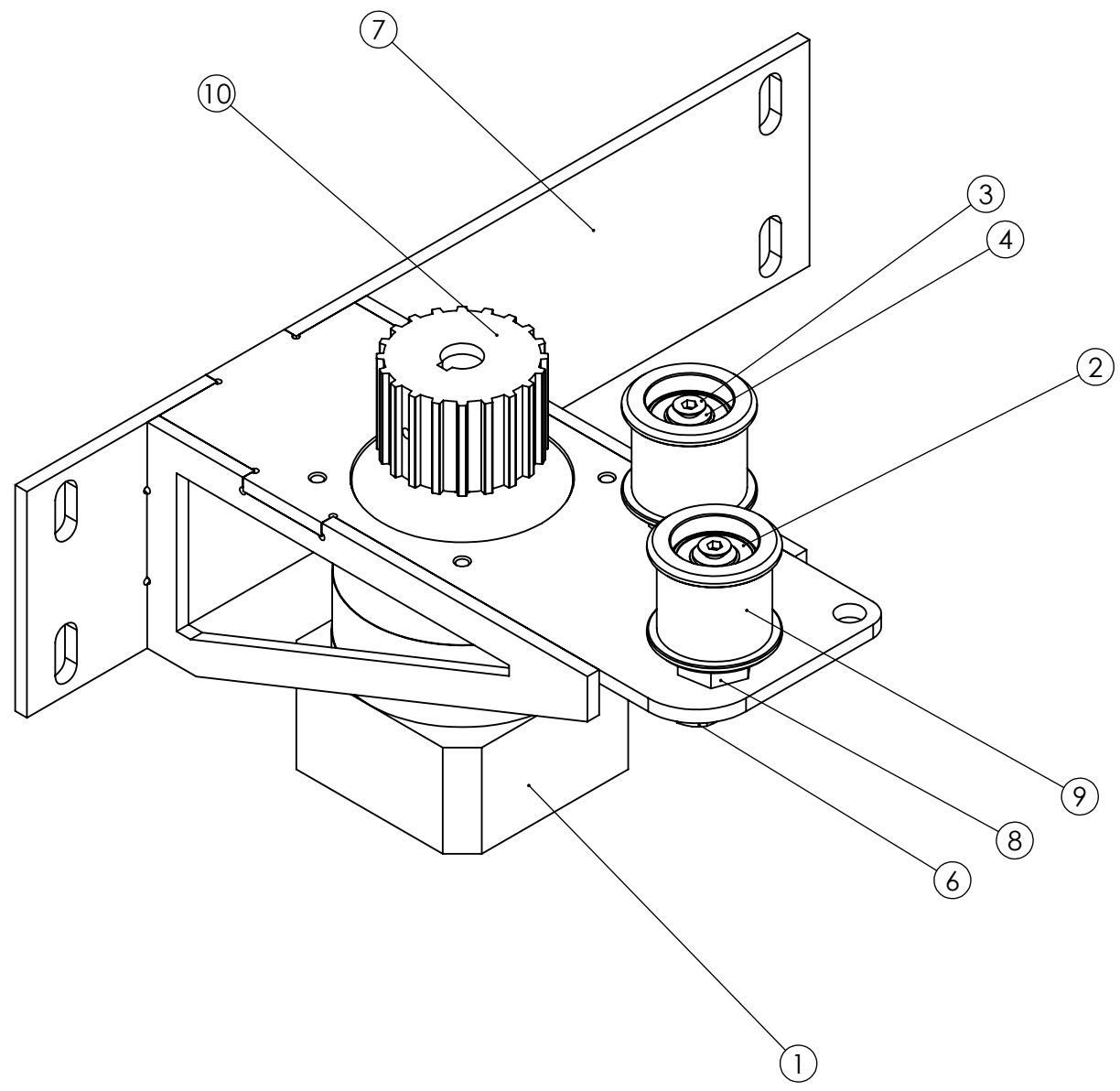


ITEM NO.	PART NUMBER	DESCRIPTION	Default/QTY.
1	AAGBPH-0901-NS-010-AA341-472-A	Gearbox	1
2	BRG6201v	Bearing - Non-contact (Sealed)	4
3	HWCSM612CS	Cap Screw M6 x 12 C/S	2
4	HWWM6	Washer - Flat - M6 ZP	2
5	HWWSM12	Washer - Spring - M12 ZP	2
6	PreviewCfG	Nut - Hex M12	2
7	SMPBKT10	CSS Rotation Gearb. Bracket V2	1
8	SMPRB03	belt tensioner eccentric	2
9	SMPRB04	Belt Tension Roller Mark II	2
10	TRTIP19T1032F-B	Timing Pulley - 19T 10P 32W Flanged	1



THIRD ANGLE PROJECTION 	UNLESS OTHERWISE SPECIFIED: DIMENSIONS ARE IN MILLIMETERS. DEBUR AND TOLERANCES: BREAK SHARP LINEAR: ±0.5mm EDGES ANGULAR: ±0.5° DO NOT SCALE DRAWING	DATE: 31/07/2014 LAST SAVED Thursday, 31 July 2014 2:09:20 p.m.	 E-mail: greg@spida.co.nz Phone: 0800SPIDAS
DESIGN Greg Prouse	MATERIAL:	CONFIGURATION: Default	
CHECKER Lynn	SURFACE FINISH: Machined	SIZE A3	TITLE: <b>ROTATION AUTOMATION KIT 5</b> DWG NO. <b>TRRAK5-B</b> REV
APPROVAL Bevan	SHEET: 1 OF 1	SCALE: 1:2.5	
SIGNATURE	WEIGHT: kg		