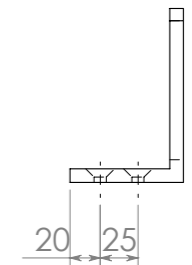
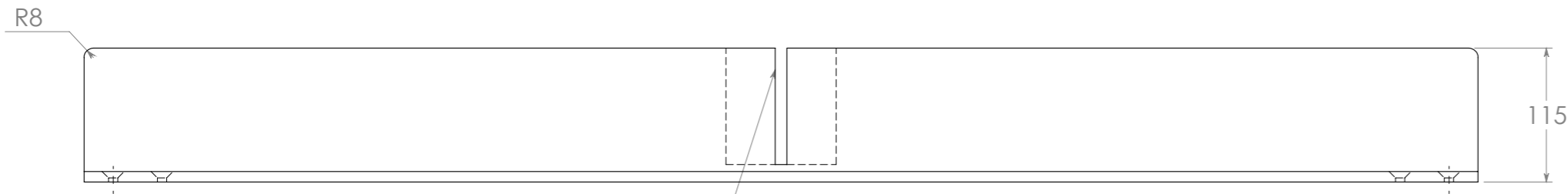
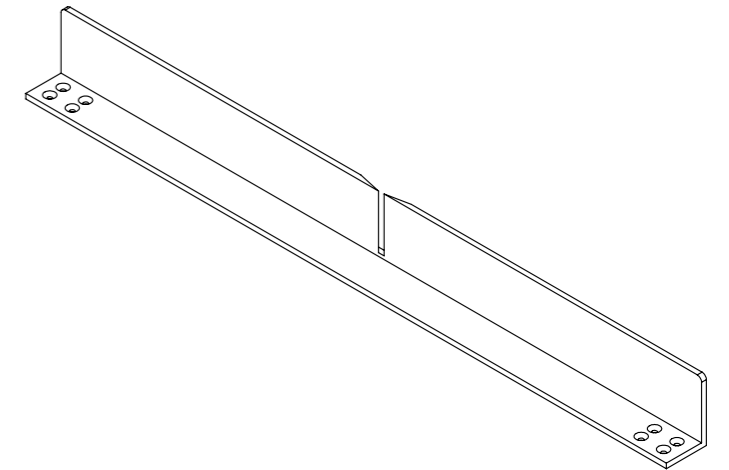
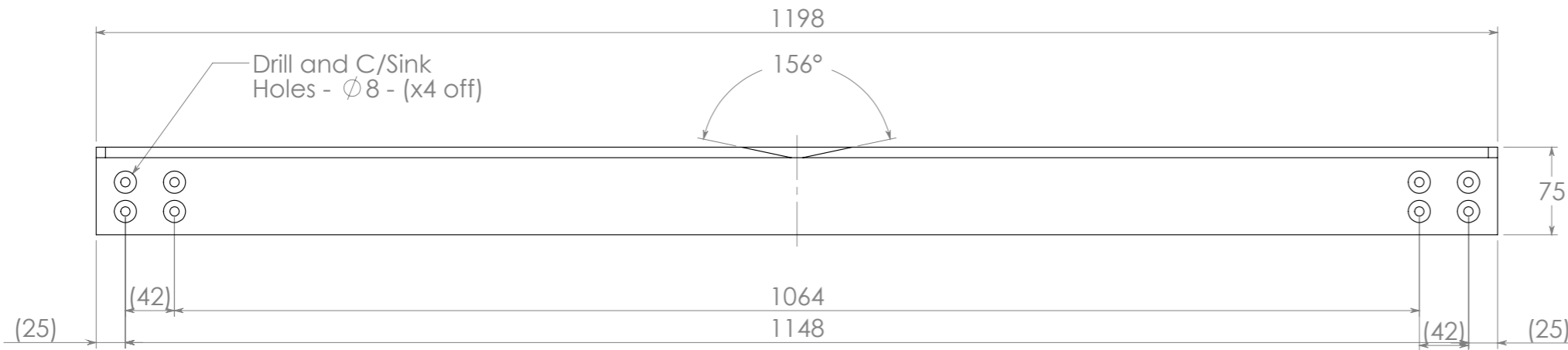


ITEM NO.	PART NUMBER	DESCRIPTION	MATERIAL	STOCK SIZE	WEIGHT	New (rev.B)/QTY.
1	RMAA115759	Aluminium Angle 115x75x9	RMAA1159	1198	5.27	1



C	Add fixing holes	13/12/2013	Herman
B	Change fixing ctrs, was 1064mm (67 from side)	17/11/2008	Greg
A	Reduce; fence cut out angle(160), height(125), and length (1200)	8/03/2006	Lynn

THIRD ANGLE PROJECTION	UNLESS OTHERWISE SPECIFIED: DIMENSIONS ARE IN MILLIMETERS.	DATE: 13/12/2013
DESIGN Greg Prouse	DEBUR AND BREAK SHARP EDGES DO NOT SCALE DRAWING	TOLERANCES: LINEAR: ±0.5mm ANGULAR: ±0.5°
CHECKER Lynn	SURFACE FINISH: Machined	CONFIGURATION: complete 2013
APPROVAL Bevan	SHEET: 1 OF 1	SCALE: 1:5
SIGNATURE	WEIGHT: kg	DATE: Friday, 13 December 2013 11:39:42 a.m.

SPIDA MACHINERY
E-mail: greg@spida.co.nz
Phone: 0800SPIDAS

Fence 115 x 75

SMPFE01

SIZE: **A3** DWG NO. **SMPFE01** REV. **C**